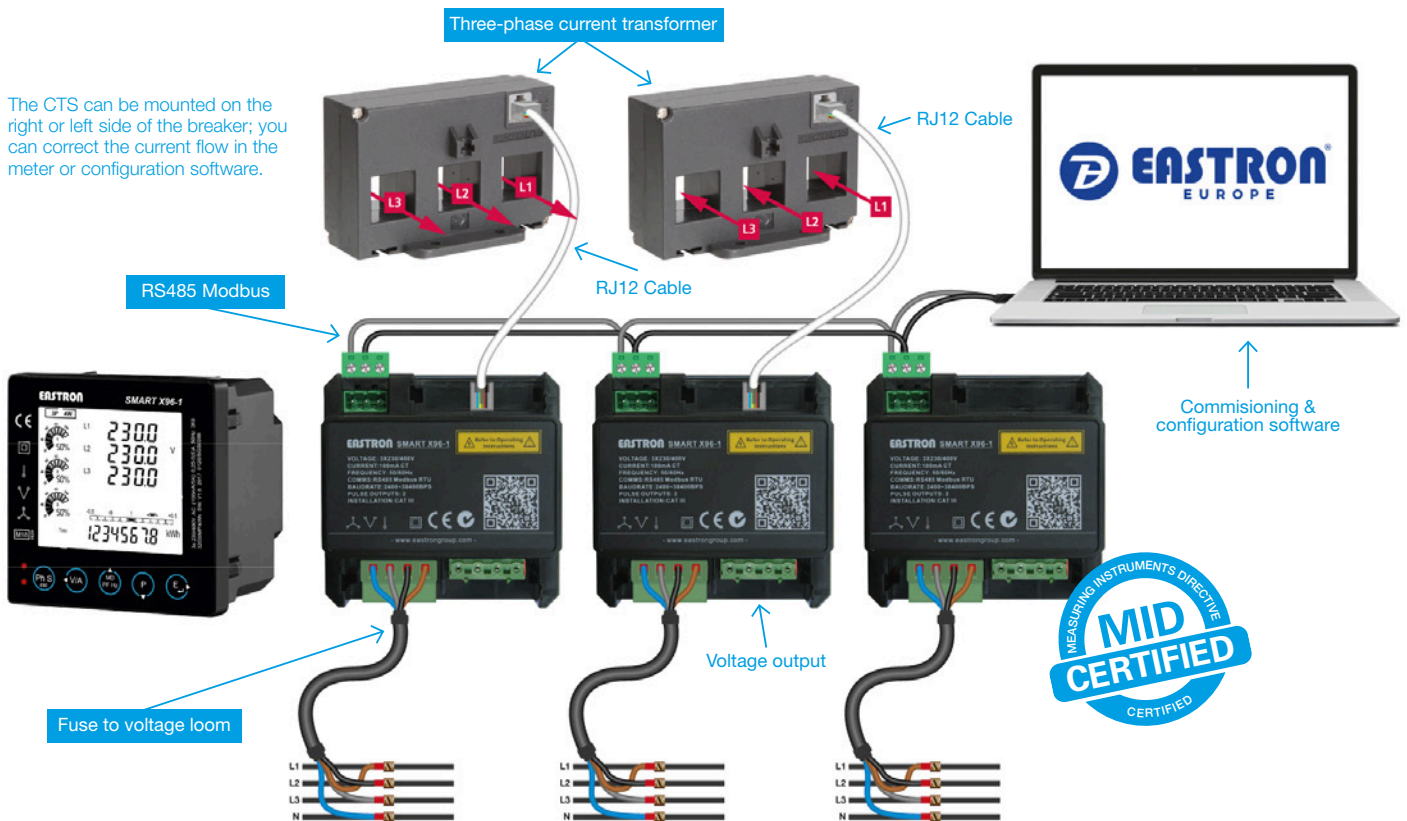


- CE and MID Certified in the UK
- Overall System Accuracy Class B (1%)
- Phase sequence indication
- Programmable Pulsed output
- Built in RS485 RTU Modbus output
- individual phase summary display (Amps, Volts, Watts and kWh)
- Individual Harmonic Levels up to 61st Tested to 1% accuracy (SMART X96-1 only)
- Min and Max Voltage levels (SMART X96-1 Only)
- Lower specification option for further cost saving (SMART X96-1E)



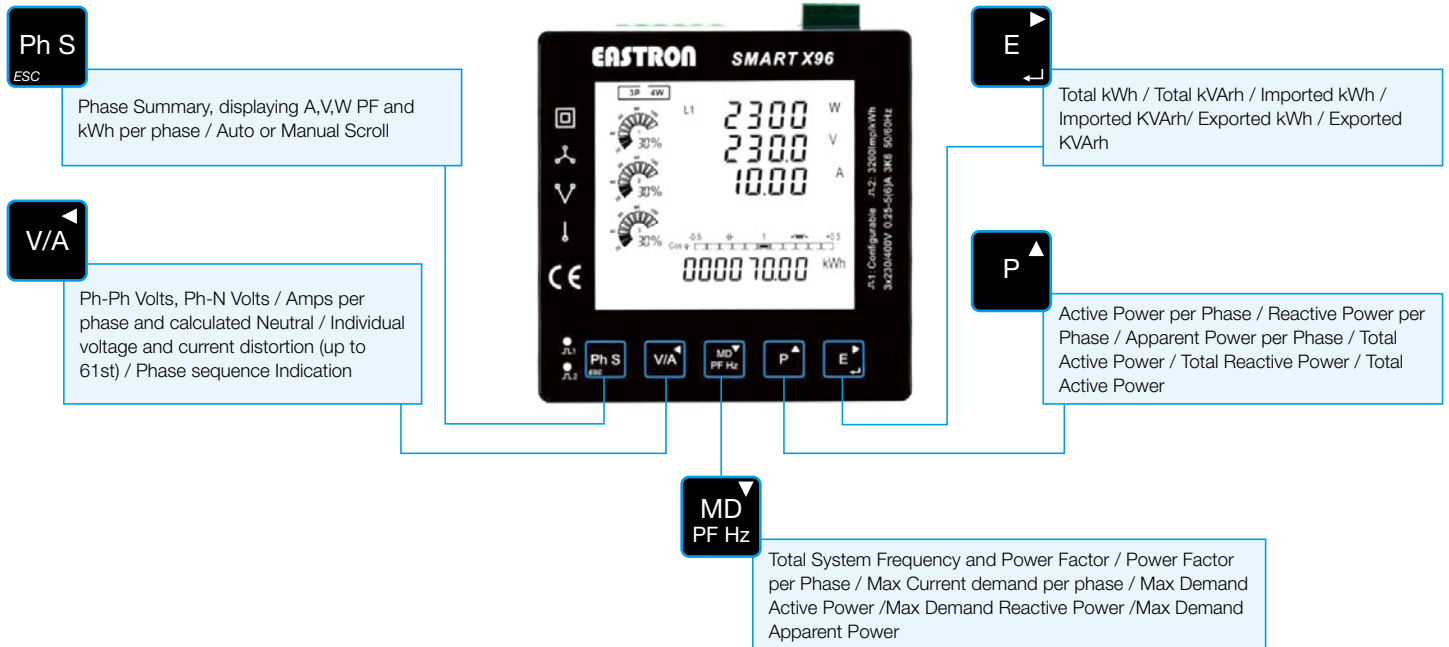
## Example of installation



Meter Type	Description of Meter
<b>SMART X96-1</b>	Active Import/Export (kWh) 3x230/400V, 100mA/5(6)A, Transformer operated, Multifunction, RS485 Modbus RTU
<b>SMART X96-1E</b>	Active Import/Export (kWh) 3x230/400V, 100mA/5(6)A, Transformer operated, Multifunction, RS485 Modbus RTU, No THD, No Voltage Output and 1P2W and 3P4W only

For more information on these products, please contact our sales team on 0203 758 3494 or email [sales@eastroneurope.com](mailto:sales@eastroneurope.com)

## Features



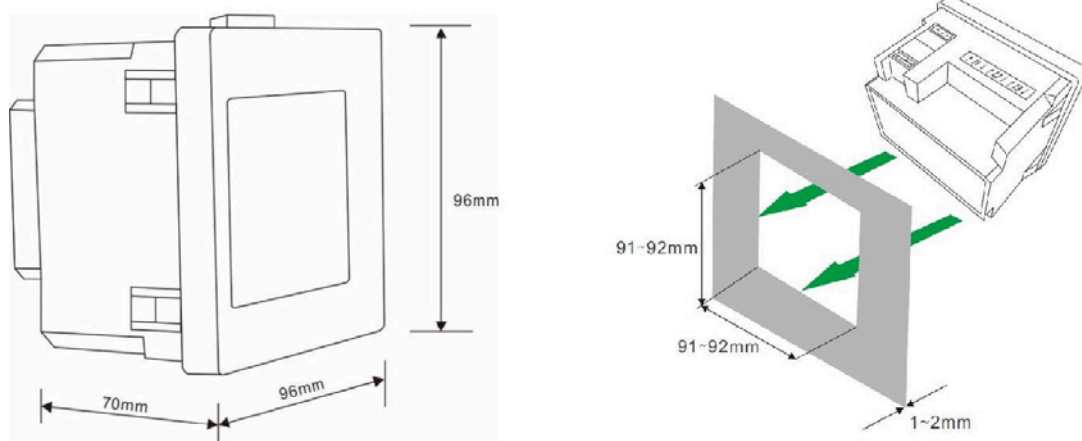
## Conformity references:

**Electromagnetic Compatibility:** IEC/EN61326-1, IEC/EN55011 Class A, IEC/EN61000-4-2, -3-4-5-6-8-11 IEC/EN50470-1/3

**Accuracy:** IEC/EN50470-1/3, IEC/EN62053-21, IEC/EN62053-23, DIRECTIVE 2014/32/EU

**Safety:** EC/EN61010, IEC/EN50470-1

## Dimension drawing



For more information on these products, please contact our sales team on 0203 758 3494 or email [sales@eastroneurope.com](mailto:sales@eastroneurope.com)

[www.eastroneurope.com](http://www.eastroneurope.com)