

# Belt Conveyor-Pull Rope Switch

---

**SEG**



## APPLICATION

Kiepe pull-rope emergency stop switches type SEG are used in accordance with the requirements of EN 620 as well as BGI 710 and in conformity with DIN EN ISO 13850 as emergency stop devices as supplementary safety measures on conveyor belt systems. The pull rope is symmetrically tensioned on both sides of the red release lever.

The devices are suitable for outdoor use and applications where the ambient temperature varies considerably.

With the pull-rope system functionally aligned, the emergency stop signal can be triggered over a distance of up to about 100 m for each switch.

Kiepe pull-rope emergency stop switch types SEG comply with Machinery Directive 2006/42/EC.

They must only be used in control electrical circuits.

The SEG cast iron housing offers space for up to 3 simultaneously switching NO and NC contacts. Taking into consideration the safety data and maintenance recommendations, the pull-rope emergency stop switch type SEG can be used in safety circuits in accordance with **DIN EN ISO 13849 up to Performance Level e (PLe)**.

## FUNCTION

The pull-rope emergency stop switch is actuated by a pull rope **1** connected on both sides of the red release lever. The contacts are actuated by a spring supported cam disc (snap action function). At the same time, up to three NC and NO contacts are actuated simultaneously and a cross comparison of the contacts can be performed with an external control unit.

The emergency stop signal is performed with positive-making normally closed (NC) contacts in accordance with the closed circuit principle.

After the emergency stop function is triggered, the switching mechanism is locked in the shut-off position "0". When the blue reset lever is actuated in switch position "1", the switching contacts are reactivated and the conveyor belt is prepared for being turned back on again.

Resetting the pull-rope emergency stop switch must not cause the conveyor system to start up.

## TECHNICAL DATA

Designation	Pull-rope emergency stop switch type SEG Emergency stop device with latching function
Type of actuation	Bidirectional Spring-loaded ("snap action")
Complies with	DIN EN ISO 13850; DIN EN 60947-5-5; DIN EN 60947-5-1
Suited for	Control units and systems in accordance with DIN EN 60204
<b>Mechanics</b>	
Enclosure	Cast iron, EN-GJL-200
Finish	DD-paint Enclosure – yellow (RAL 1004) Release lever – red (RAL 3000) Reset lever – blue (RAL 5010)
Mounting	2 slotted holes for M10 screws
Installation position	Horizontal, tilt angle up to about 15°
Pull-rope length	Up to approx. 100 m
Actuation force	30 N ± 10 N
Weight	5.23 kg
<b>Electrical system</b>	
Switching system	Up to 3 NC and NO contacts Cam operated positive-making switches
Cable entry	Threaded holes 2x M25 x 1.5 with each 1x screwed cable gland: Sealing area Ø11 mm to Ø16 mm; 1x screw plug
Utilization category	AC-15: 230 V; 6 A DC-13: 110 V; 1.1 A
Connection cross section	1 mm <sup>2</sup> to 2.5 mm <sup>2</sup>
Protective conductor connection	In the casing; M4
Rated insulation voltage U <sub>i</sub>	400 V
Rated impulse withstand voltage U <sub>imp</sub>	2.5 kV, degree of pollution III
Conventional thermal current I <sub>th</sub>	16 A
Contact reliability	>2 million switching operations

### Ambient conditions in accordance with DIN EN 60947-5-5

Permissible ambient temperature	-25°C ... +70°C
Extended ambient temperature range	-40°C ... +70°C (type SEG 7xx)
Protection rating	IP 67 in accordance with EN 60529

### Safety data in accordance with DIN EN ISO 13849 and EN 61062

Safety functions	Emergency stop incl. latching Manual reset
Usable in accordance with DIN EN ISO 13849-1	Up to PLe (depending on customer application)
B10d value	24,000 actuations

## SELECTION TABLE

Type	Contact configuration		Integrated signal lamp ⊗	Order number
	NC	NO		
SEG 001	1	1		91.056 400.001
SEG 002	2	2		91.056 400.002
SEG 004	1	1	x	91.056 400.004
SEG 005	2	2	x	91.056 400.005

Further models available on request

### Equipment options:

Gold-plated contacts

Ventilation membran

Signal lamps for 230 V or 24 V

Devices for two-wire bus line

### Spare parts and accessories:

Screwed cable gland M25 x 1.5 (sealing area 11 mm to 16 mm)	113.52.02.20.01
Screw plug M25 x 1.5	113.52.87.20.02
Replacement lamp: BA 15D 220V-260 V / 5 W	331.09.08.02.01

## MOUNTING

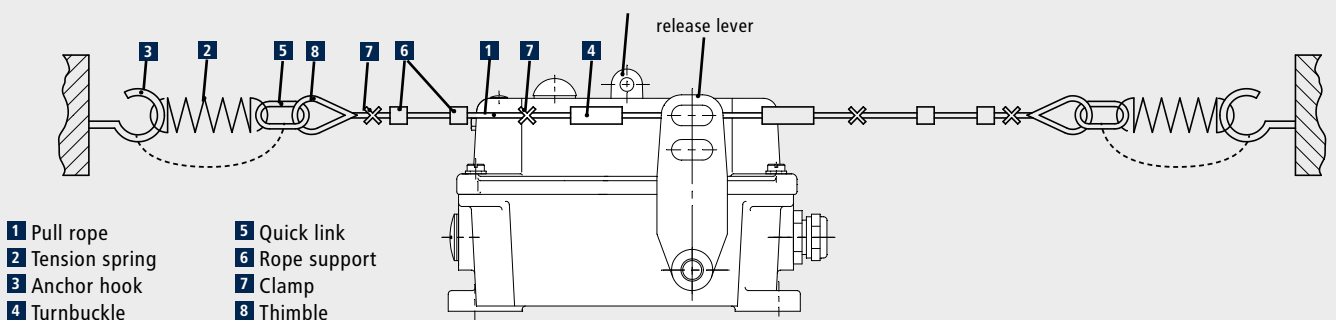
Pull-rope emergency stop switches of types SEG are each fastened to the substructure in installation position with 2 M8 screws, centered between the anchor hook **3** of the pull-rope system (see the mounting diagram).

Electrical connection is performed with the device open using the screwed cable gland included in the delivery, directly on the screw joints of the switching elements and the lamp fitting (option)

as well as the protective conductor connection. The pull-rope **1** is tensioned by tension springs **2** between the anchor hooks **3** and fastened onto the red release lever.

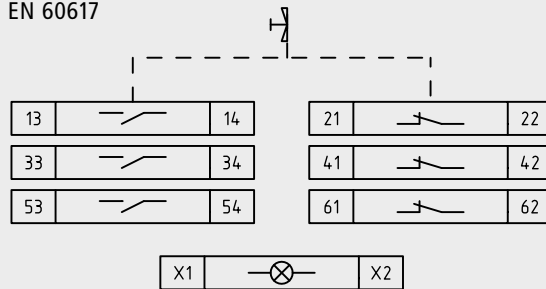
After the tension springs **2** have been adjusted, the actuation force and path for triggering the switch must be tested to ensure compliance with specified requirements.

## MOUNTING DIAGRAM

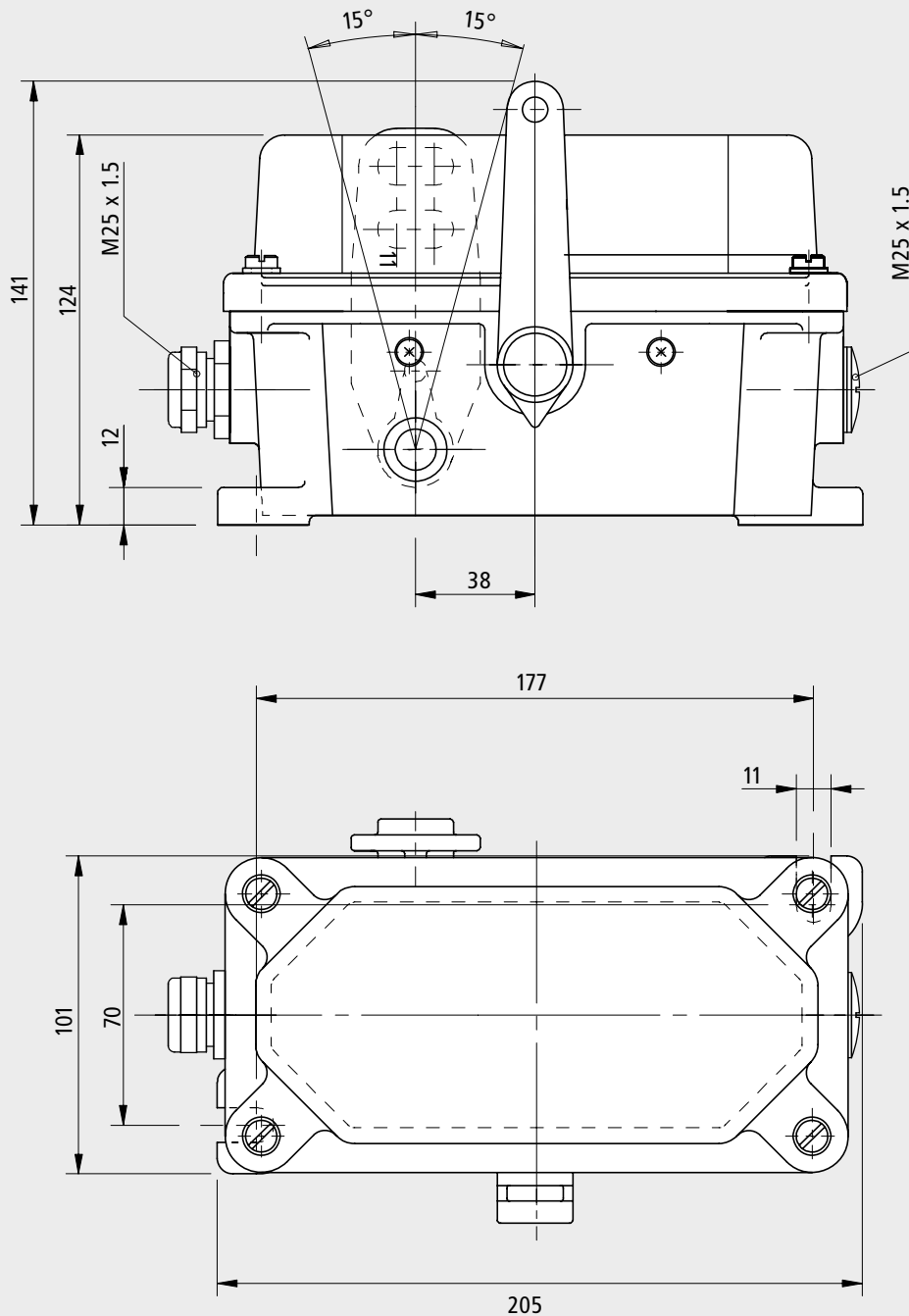


## CONNECTION DRAWING

Switching elements in accordance with DIN EN 60617  
(the maximum configuration is shown)



## DIMENSIONS



Subject to change without notice.